



Asset-Trade

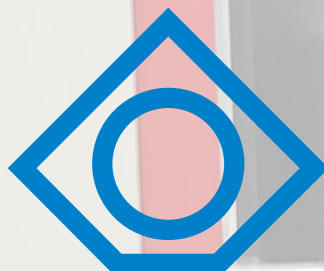
Assessment & Sale of Used Assets

Ref. No.: 801-01070951

Overview and Technical Data:

HÖFLER - Promat 400 Gear grinding machine

HOEFLER



KLINGELBERG

Year of Build: Jan 1996



Description:

Used HÖFLER Promat 400 Gear grinding machines

4-axis numerically controlled gear grinding machine for cylindrical, straight toothed involute and special tooth systems.

The grinding wheel is profiled with an integrated CNC dresser.

Processing accuracy (under reserve) Quality 4 under normal production conditions.

- Module 1-10
- Max. Head diameter 240-400 mm
- Max. Grinding wheel width 30 mm
- Rated power grinding wheel 15 kW
- Max. Cutting speed 60 m / sec
- Minimum root diameter 10 mm
- Max. Tooth width 200 mm
- Max. Working stroke 210 mm
- Workpiece carrier Lifting speed 6,000 mm / min
- Number of teeth freely selectable
- Number of controlled axes 4 (machine) + 2 (dresser)
- Sound level 80 dBa
- Max. Table load 80 kg
- Total connection power 30 kVA



Technical Data:

Technical Data:

Control: CNC

Dimensions and Weight:

Weight: 8.000 kg

Buyer Information:

Condition: Very good condition

Available: On Request

Sold as:

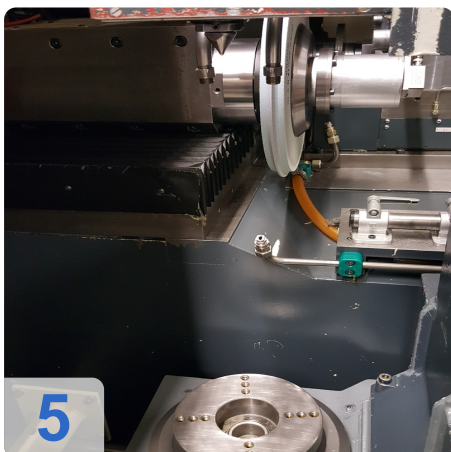
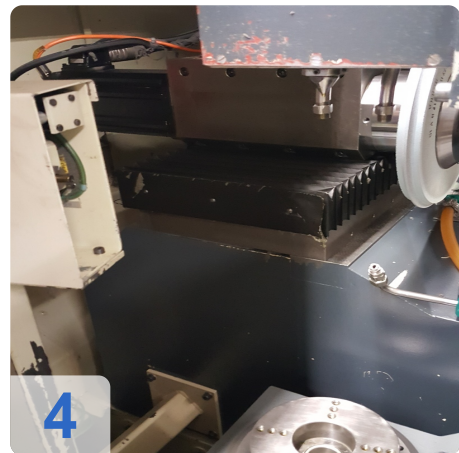
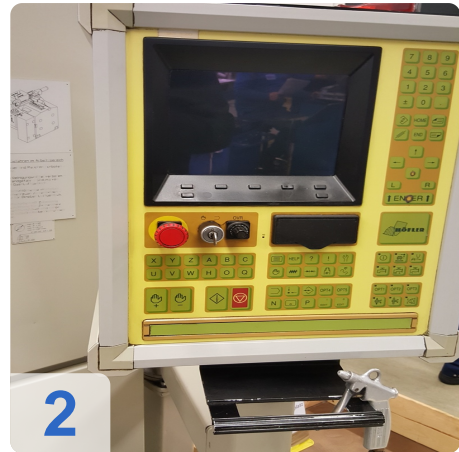
EXW (Ex Works - Incoterm)

VAT: 19 %

Location: Germany



Images:

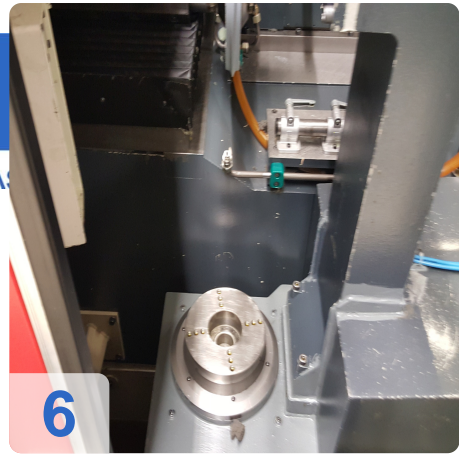




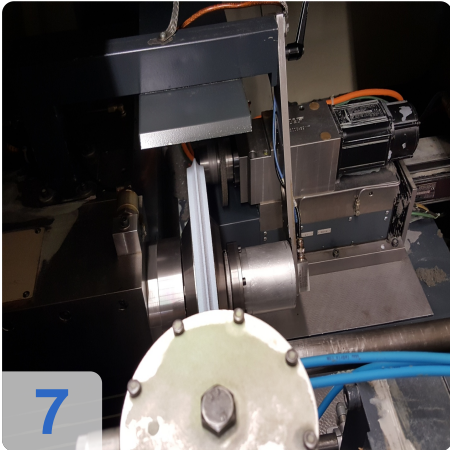
Asset-Trade

e

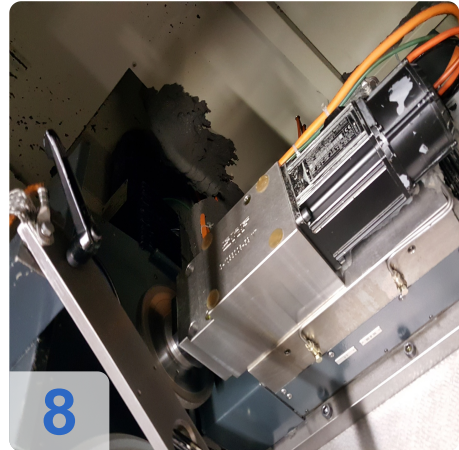
Assets



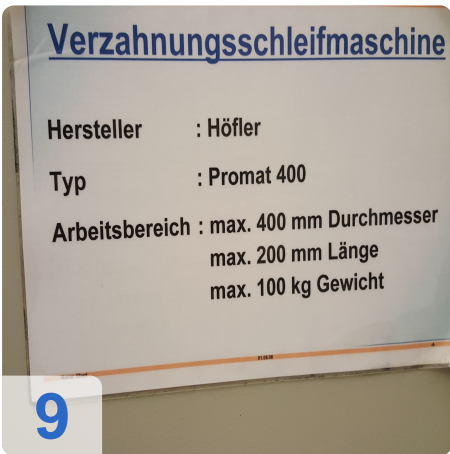
6



7



8



9

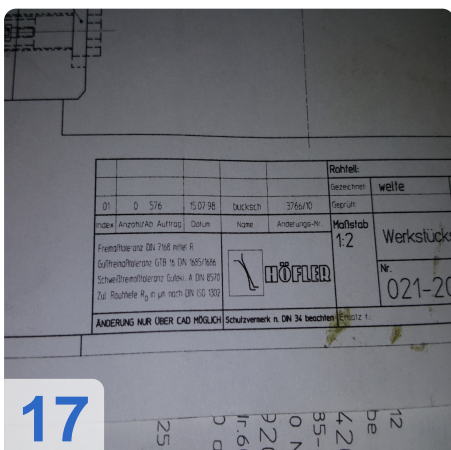
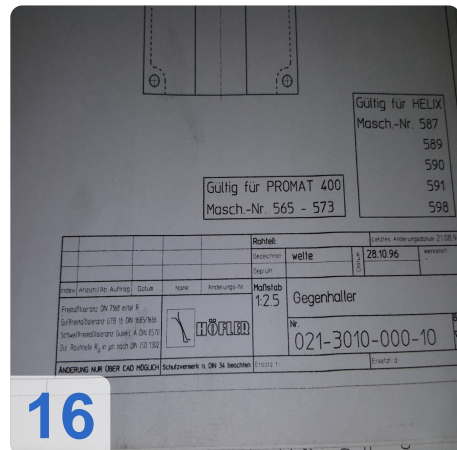


10



11

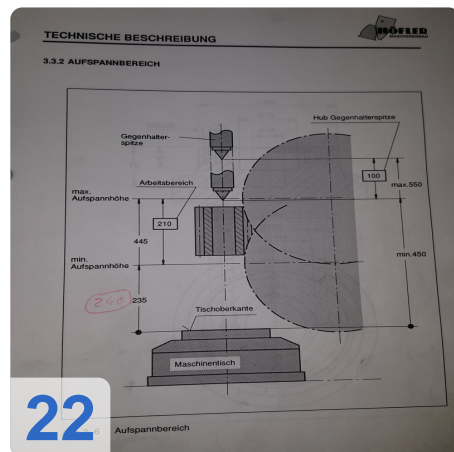
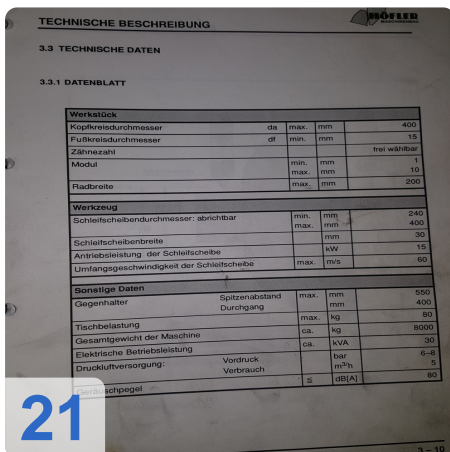
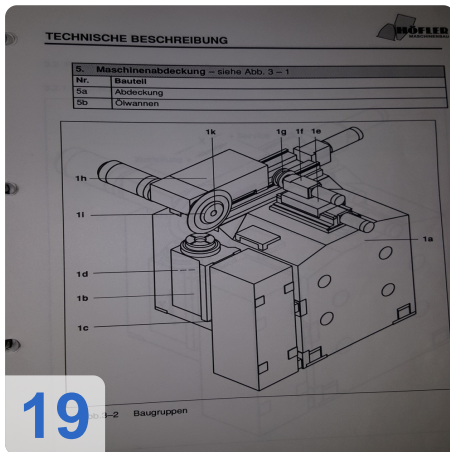
230-0
BKW GmbH
2849 WOLFSCHLUGEN Germany
Model: [] Brand: []
No. [] Serial No. []
Year []
Voltage [] V
Power [] W
Frequency [] Hz
Country of origin []
Electrical equipment
990005





AS

Assets





Asset-Trade

Assessment & Sale of Used Assets



Asset-Trade

**Assessment and Sale of Used Assets world
wide**

Am Sonnenhof 16

47800 Krefeld

Germany

Tel.: +49 2151 32500 33